



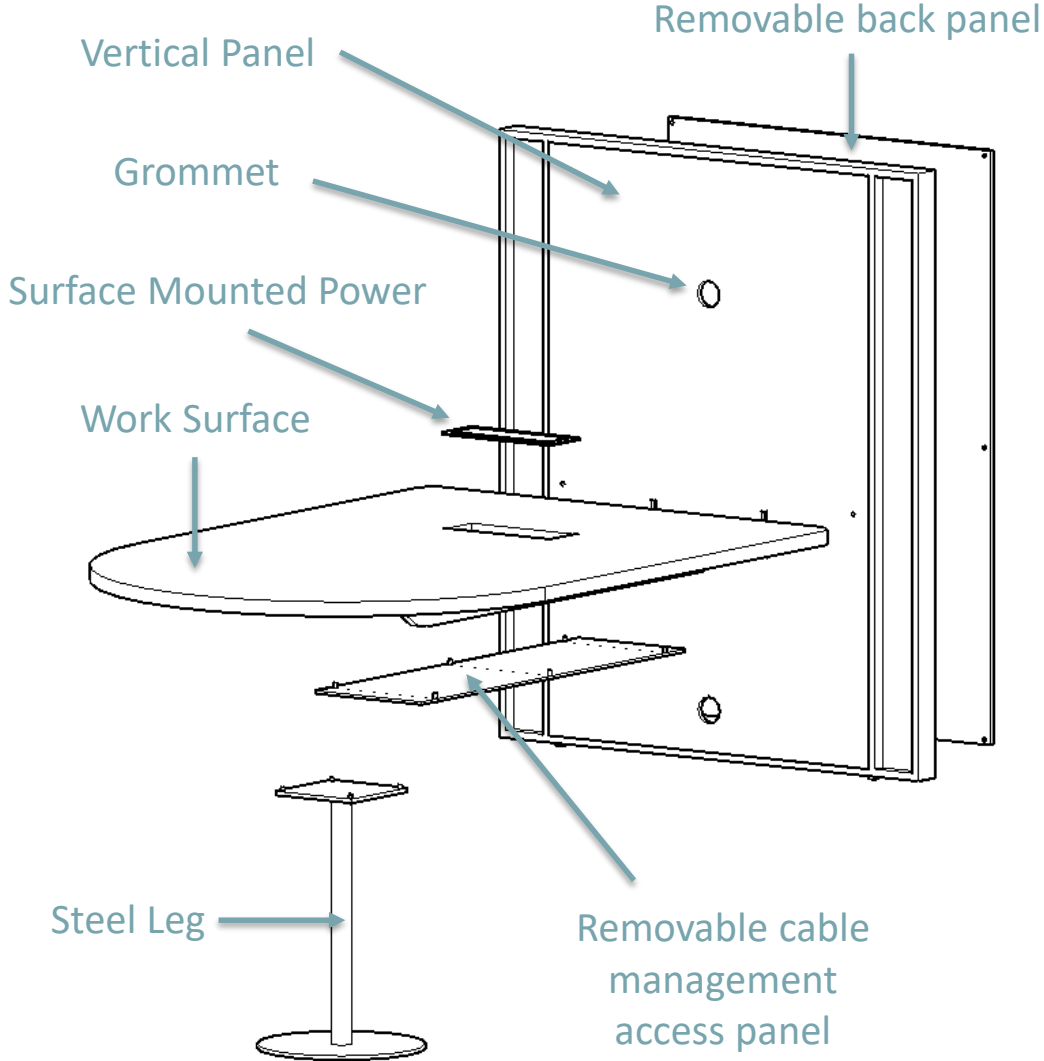
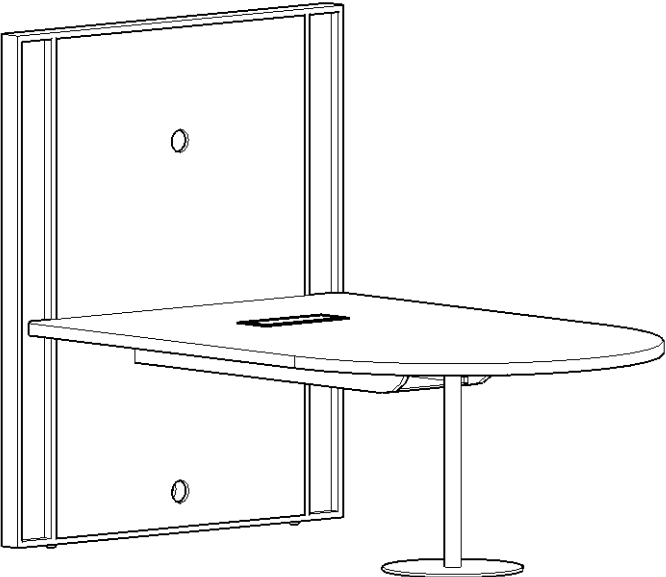
TechnoLink Media Table

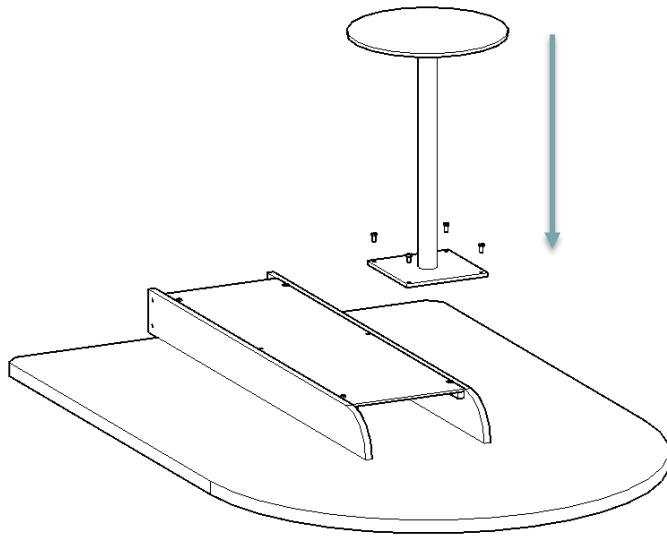
Installation Instructions

10-26-18

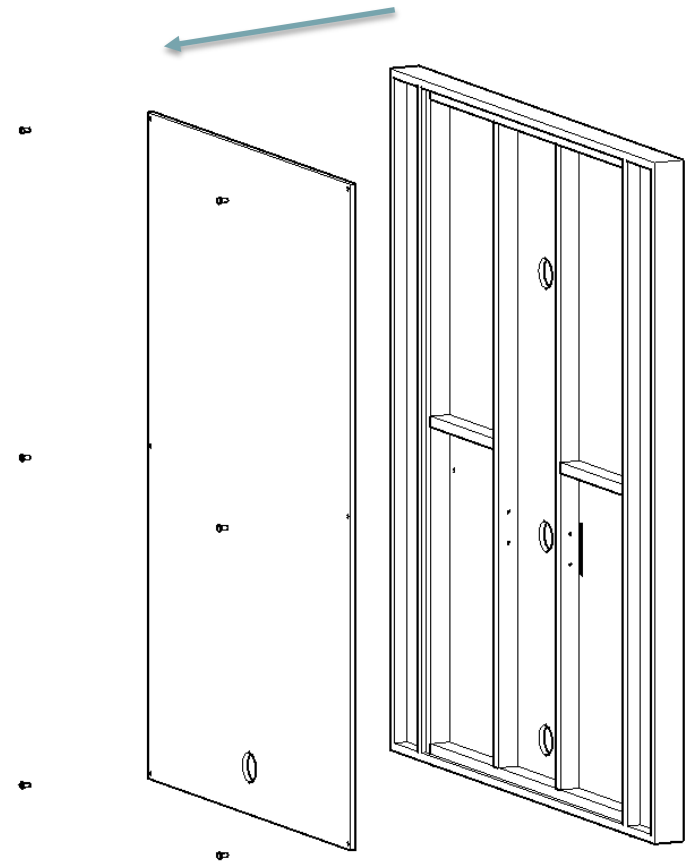
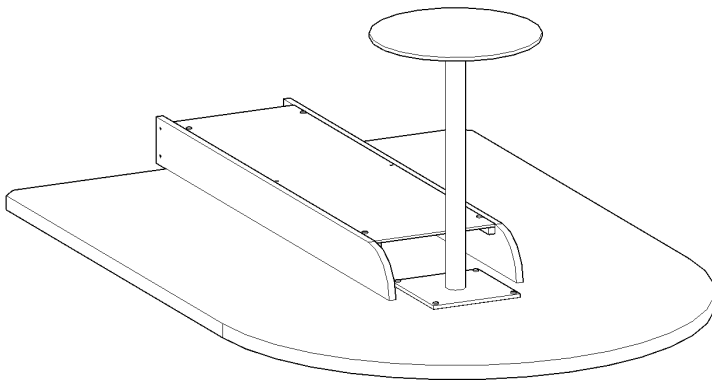
imagine what's possible™

Assembled TLK Media Table

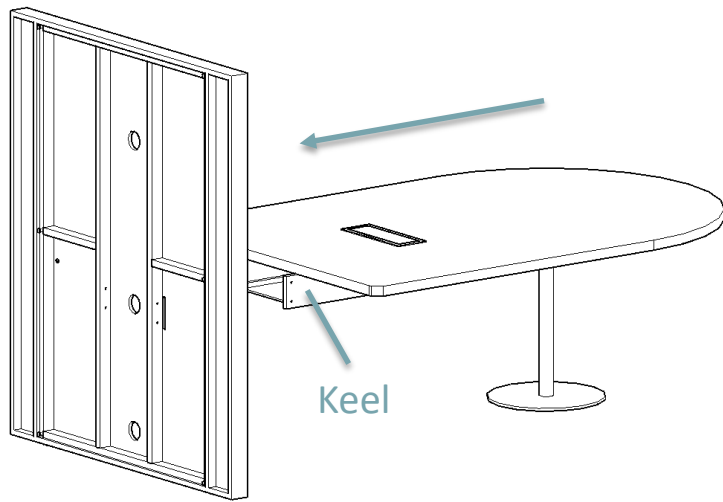




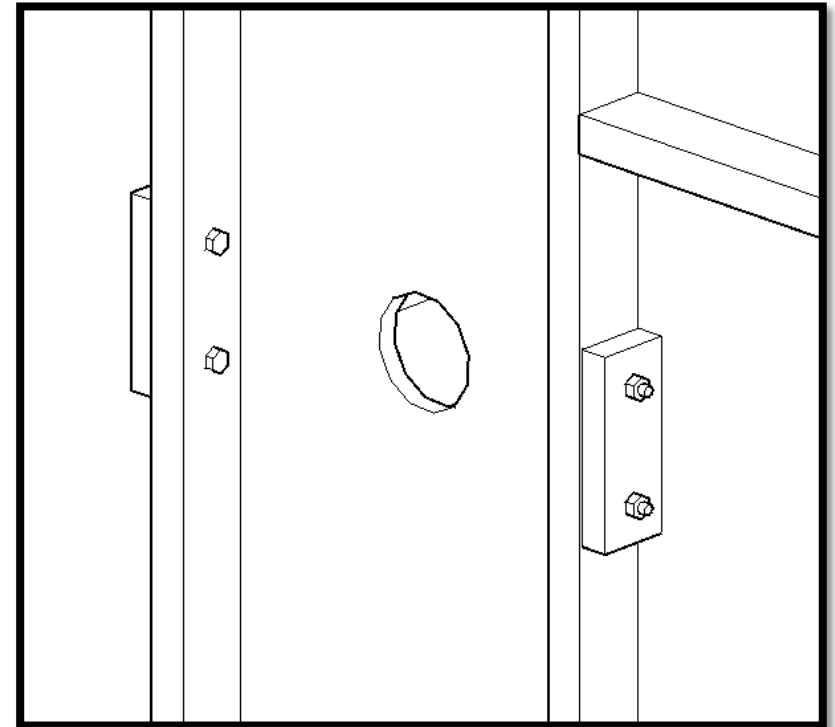
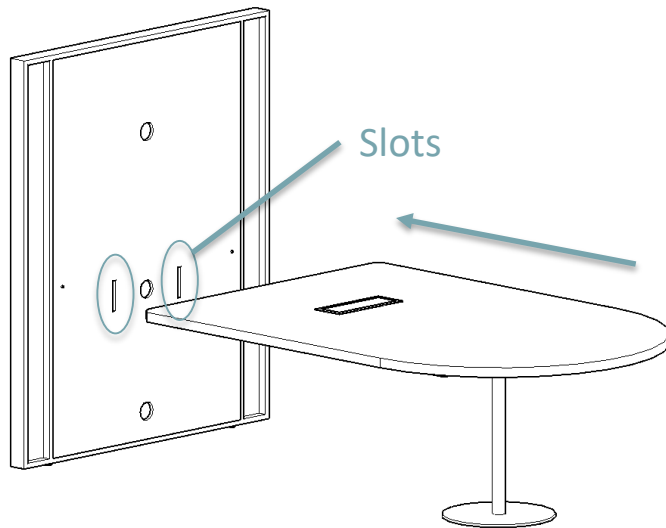
Step 1 - Place work surface face down and attach steel leg with 4 bolts provided



Step 2 – Remove back panel of vertical panel via 8 x bolts

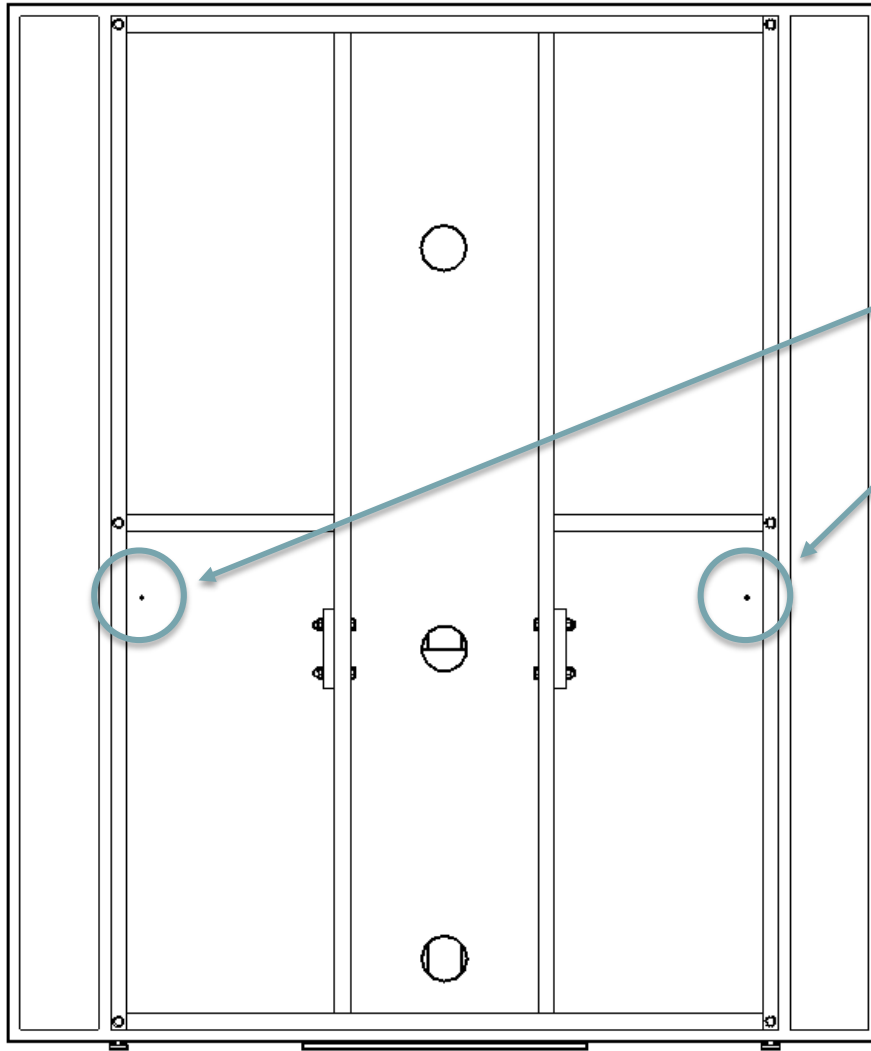


Step 3 – Slide work surface keels into two slots in upright panel

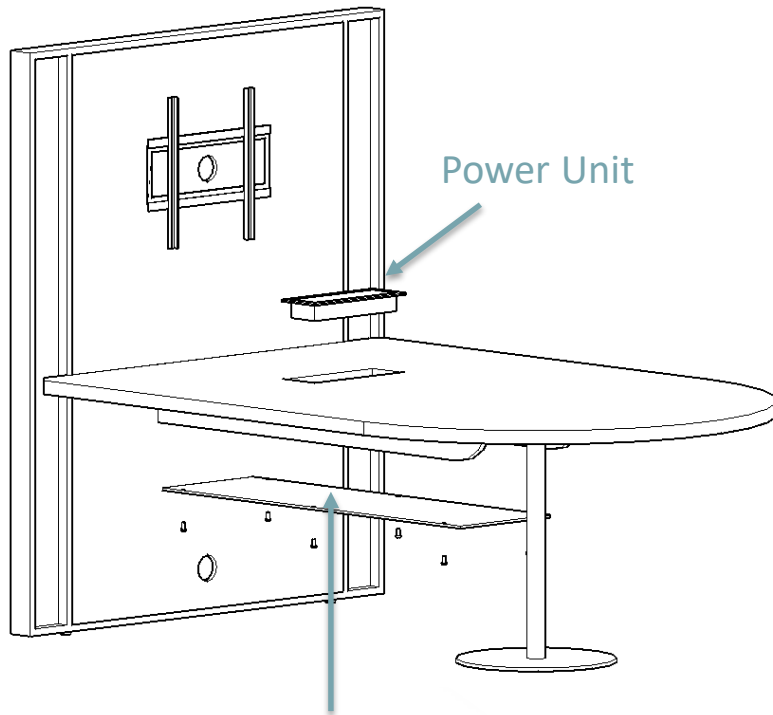


Step 4 – With the back panel removed, connect the work surface keels to the upright panel through 4 bolts provided.

Rear View of Vertical Panel with back panel removed.

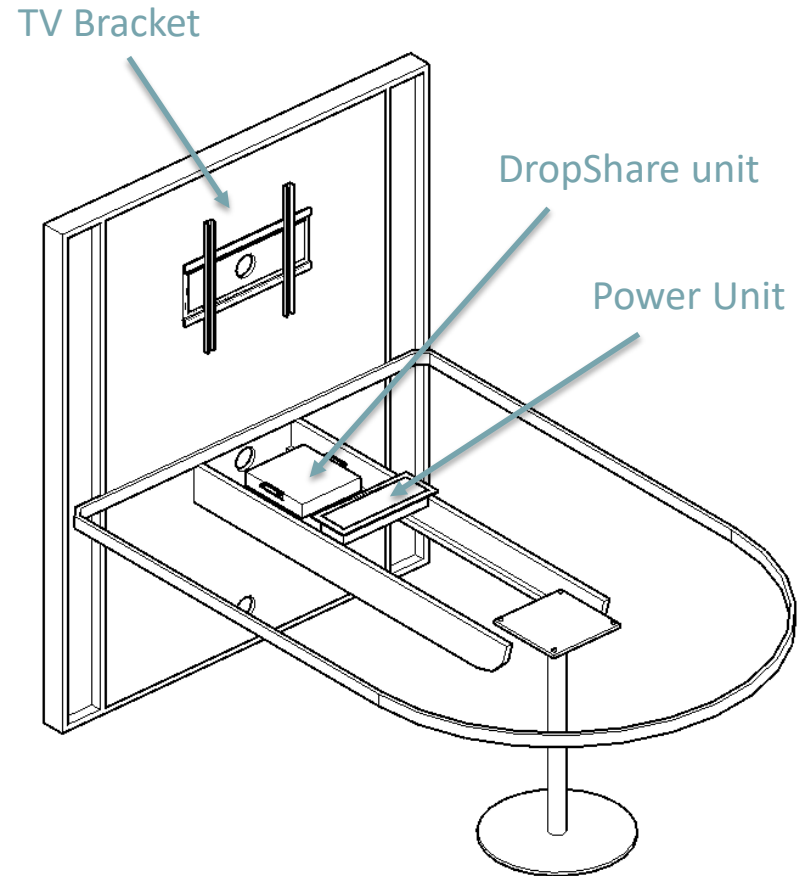


Step 5 – Bolt through back panel and into work surface at two additional points.

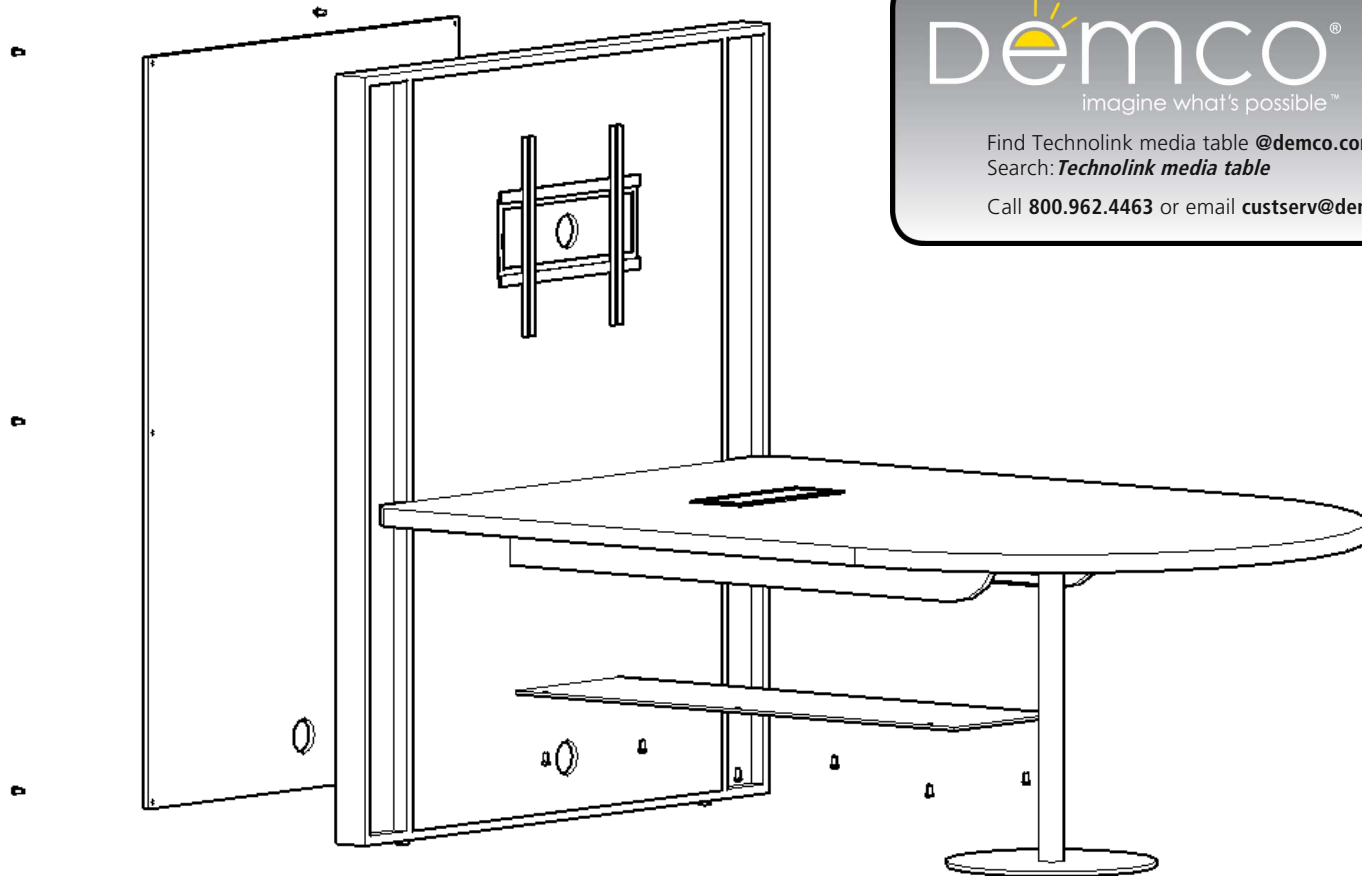


Cable Management Access Panel

Step 6 – Remove cable management access panel. Place power module into precut slot in work surface.



Step 7 – Attach 2 brackets to DropShare unit, then attach DropShare to underside of work surface in location shown. Attach TV bracket in location shown .



demco®
imagine what's possible™

Find Technolink media table @demco.com

Search: *Technolink media table*

Call 800.962.4463 or email custserv@demco.com

Step 8 – Connect DropShare unit, flat panel monitor and surface power unit. Once technology is connected and working correctly reinstall the removeable back panel and cable access panel to conceal / manage cables.