


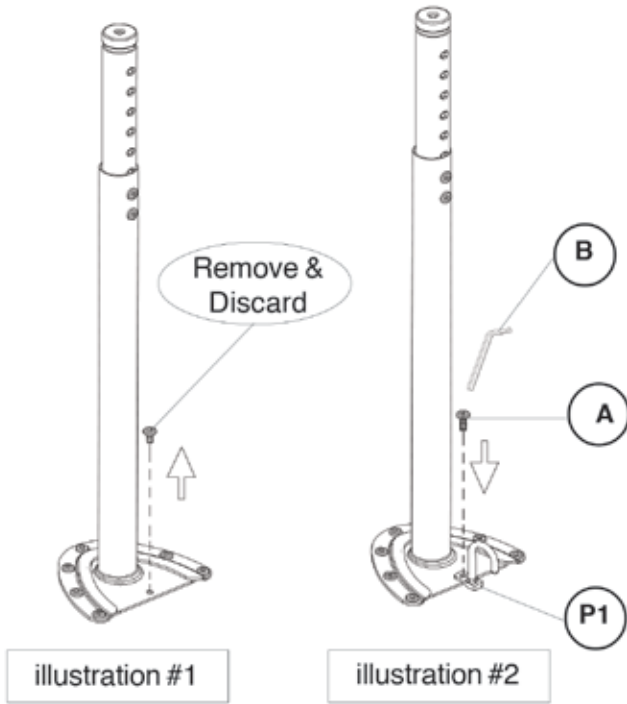


66667-Back Pack Hook

Part	Drawing	Description	Qty	Part	Drawing	Description	Qty
P1		Back Pack Hook	1 EA	Hardware List			
				A		M6*18mm Screw	1 EA
				B		Allen Wrench	1 EA

Assembly Instruction

1. Remove and discard the center Screw in the leg's base plate. See illustration #1.
2. Place the Back Pack Hook (P1) over the center hole in the leg's base plate. Use the Screw (A) to attach the hook to the base plate and table top as shown in illustration #2. Use Allen Wrench (B) to tighten Screw.




Find MooreCo Shapes Desks @demco.com,
search *mooreco shapes desks*
Call 800.962.4463 or email custserv@demco.com