

LAMINATED or WOOD END PANELS DOUBLE FACED END PANELS

1. Stand end panel against welded frame and center over frame upright. Using holes in web of frame, attach wood panel to frame with wood or sheet metals screws. Screws not provided. See Figure 36.
2. Attach end panel at top through canopy top bracket holes. Screws not provided.
3. Attach panel at bottom through holes provided in depression of base bracket. Screws not provided. See Figure 36.

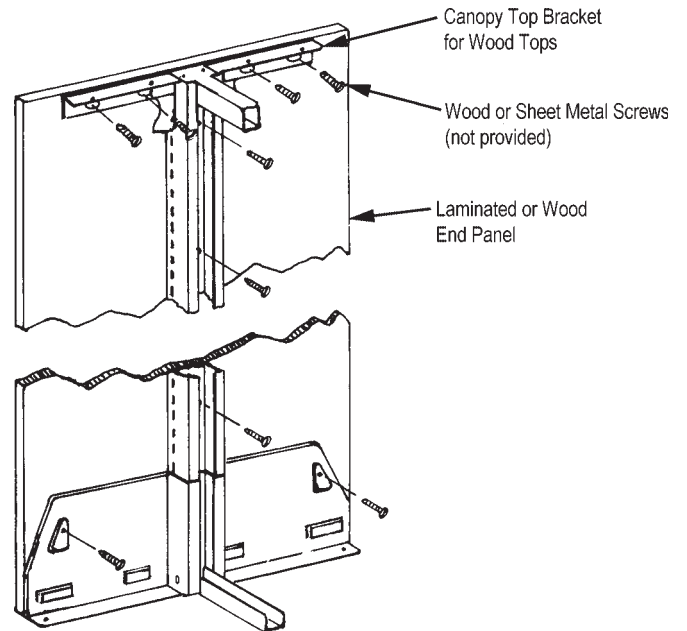


FIGURE 36

CANOPY BRACKETS FOR WOOD TOPS

1. When a wood canopy top is used, install brackets in the top holes of the frame upright and secure canopy side angle brackets to canopy brackets with 1/4-20 x 1 Phillips truss head machine screws and 1/4-20 hex nuts. See Figure 37.
2. Set the wood canopy top on assembled brackets and position as desired. Secure top to brackets with wood or sheet metal screws. Screws not provided.
3. If units are side-by-side, bolt through both brackets using 1/4-20 x 1 Phillips truss head machine screws and 1/4-20 hex nuts. See Figure 38.

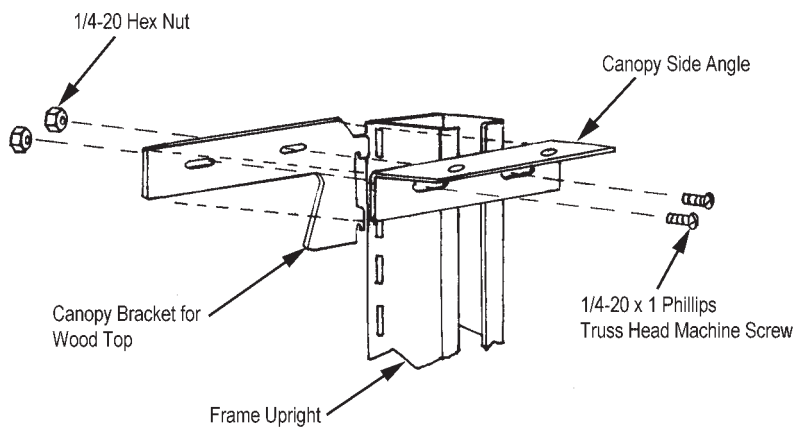


FIGURE 37

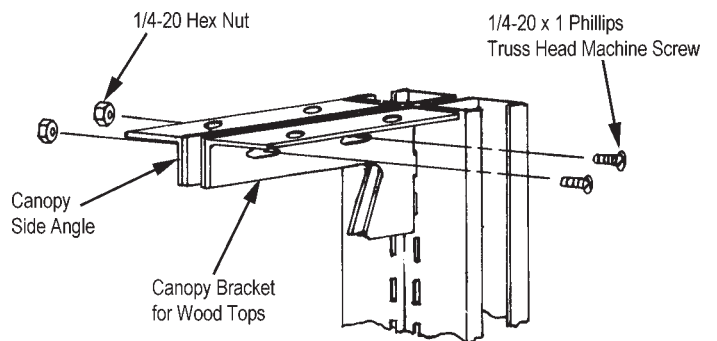


FIGURE 38

Demco[®]
imagine what's possible™

Find LibraCraft Canopy Tops and End Panels @demco.com
Search: **LibraCraft Canopy Tops and End Panels**
Call 800.962.4463 or email custserv@demco.com