

# Demco® Gratnells® Storage Kit With Trays Assembly Instructions

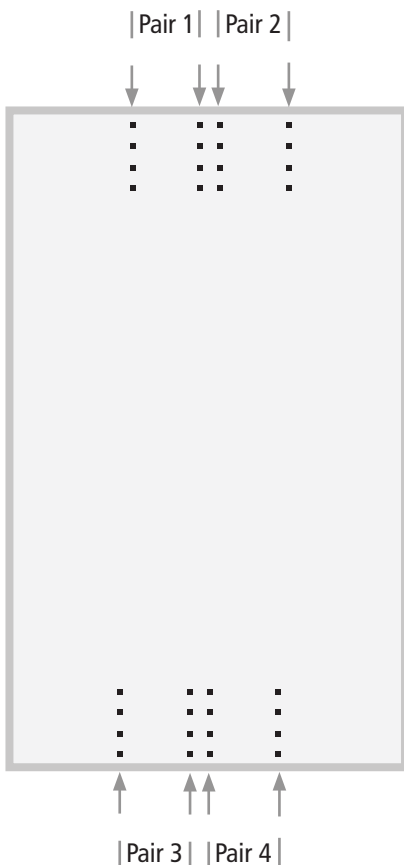
## Parts List:

- (32) #8 x 1" Wood Screws — Phillips, Pan Head
  - (4) Bracket Pairs
  - (4) Gratnells Trays
- Tools required: Screwdriver — Small Phillips (not included)

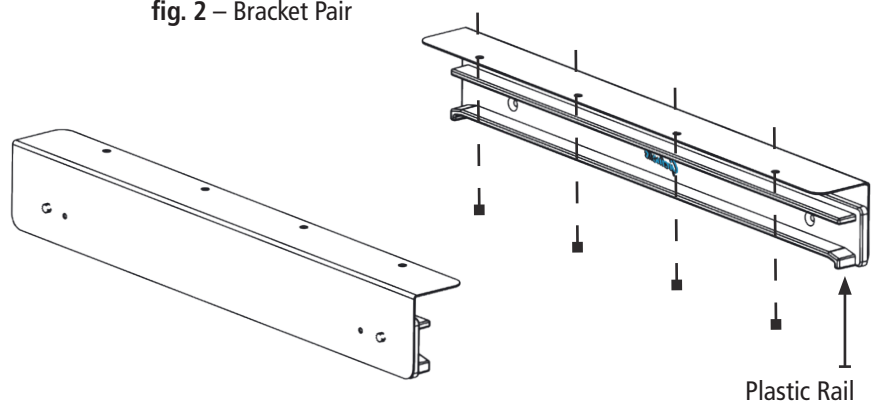
**For the best results, install the Gratnells Storage Kit before attaching the table legs.**

1. Identify the pilot hole pairs on the tabletop underside, each with 8 holes (fig. 1).
2. Position the Bracket Pairs with plastic rails facing each other (fig. 2), and align the bracket holes with the pilot holes.
3. Using a Screwdriver, drive Wood Screws into the holes to secure the Bracket Pairs to the tabletop (fig. 2).
4. Install the Gratnells Trays, handle facing out, by gliding the tray rim along the plastic rails on the Bracket Pairs.

**fig. 1** – Tabletop Underside With Pilot Hole Pairs



**fig. 2** – Bracket Pair





Demco®  
imagine what's possible™

Find Gratnells Storage Kit @demco.com  
Search: **809798**

Call **800.962.4463** or email **custserv@demco.com**