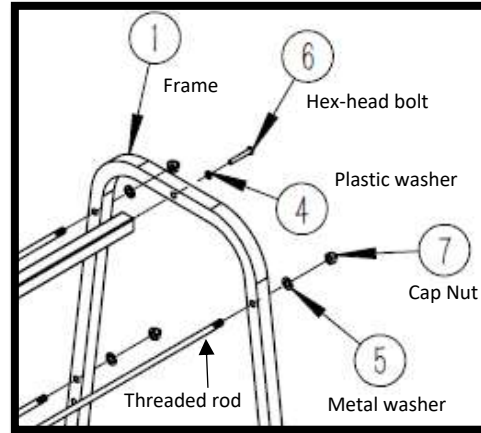
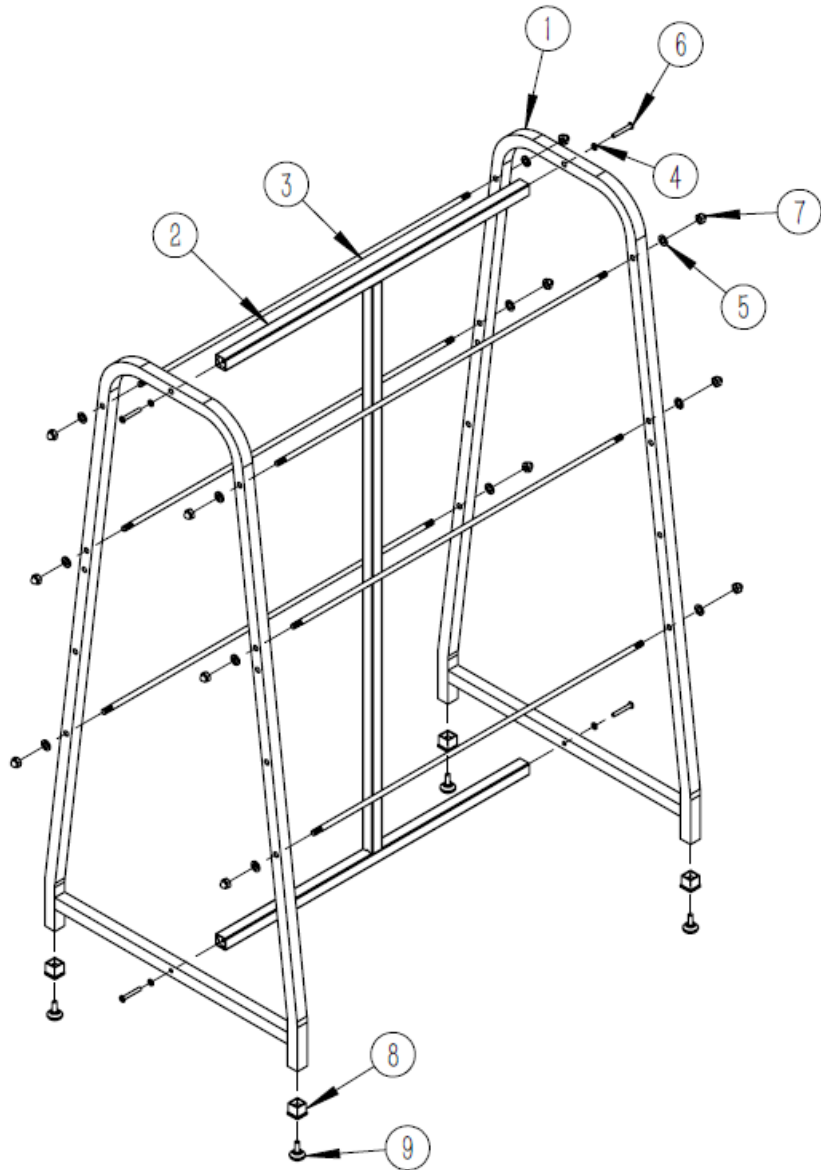
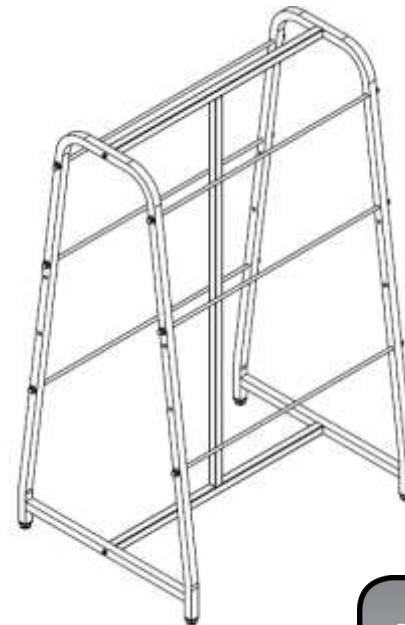


# BAG DISPLAY:12249480



NOTE: Do not fully tighten bolts and nuts until fully assembled.



ITEM	QTY	DESCRIPTION
1	2	
2	1	
3	6	
4	4	
5	12	
6	4	
7	12	
8*	4	
9*	4	

\* Note: Do not install inserts or glides (item 8 & 9) if you plan to install casters to the display. The caster set (available separately) comes with its own inserts.

**demco**<sup>®</sup>  
 imagine what's possible™

Find Demco® Hanging Bag Rack @demco.com  
 Search: 1224948

Call 800.962.4463 or email [custserv@demco.com](mailto:custserv@demco.com)