

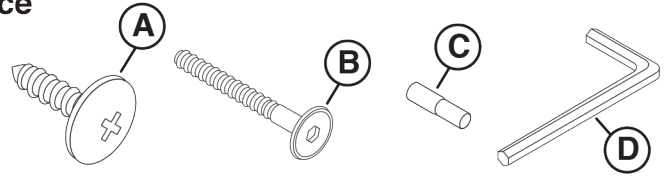
# ASSEMBLY INSTRUCTIONS

## PARTS BAG

5774

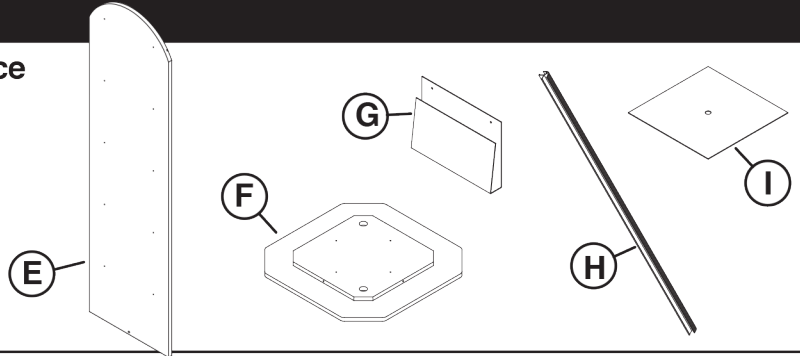
## DEMCO Four Sided Newspaper Stand

Parts	Quantity	Reference
#10 x 5/8" Trusshead Screw	40 (+4 extra)	A
50mm One-Piece Connector Bolt	4	B
Shelf Pin	4	C
Hex Key	1	D



## PARTS LIST

Parts	Quantity	Reference
Side Panels	4	E
Spinner Base	1	F
Racks	20	G
Corner Extrusion	4	H
Top Plate	1	I



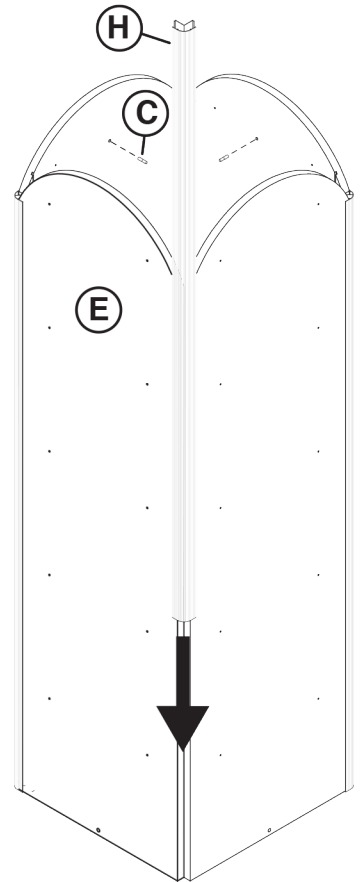
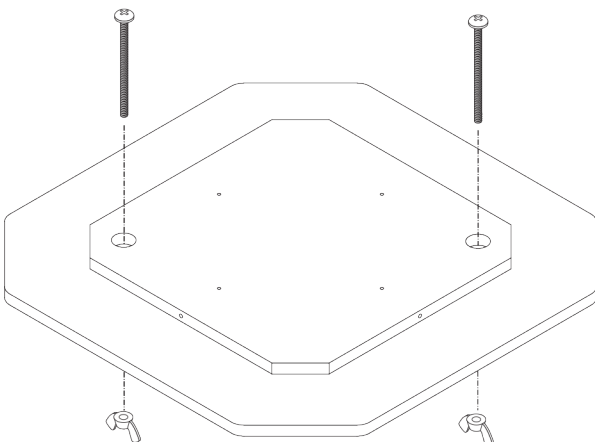
## STEP 1

Insert (4) **Shelf Pins (C)** into hole in top center of each **Side Panel (E)**.

Put together (4) **Side Panels (E)** using (4) **Corner Extrusions (H)**, as shown in illustration.

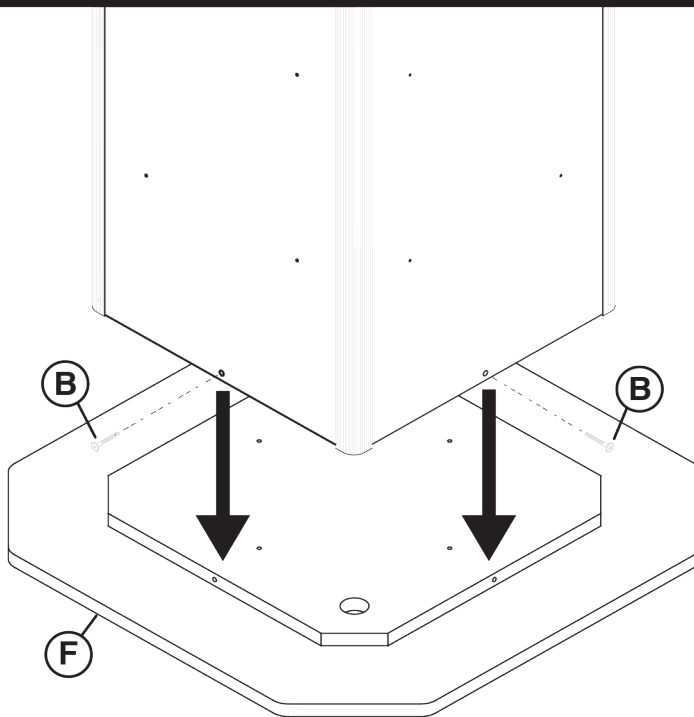
### !! IMPORTANT !!

Before assembly be sure to remove the (2) **Support Bolts & (2) Wing Nuts**, so that the **Spinner Base** rotates freely.



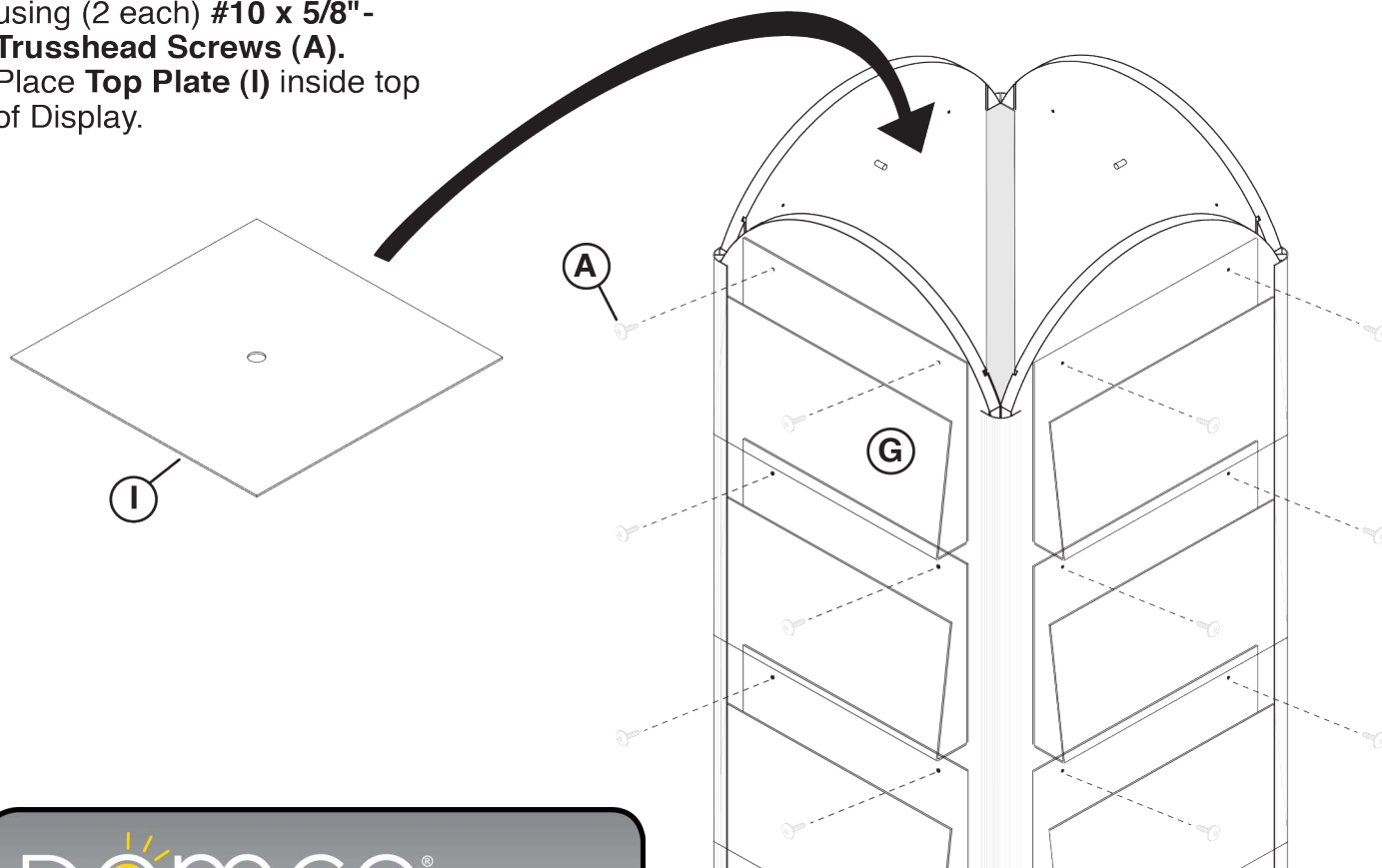
## STEP 2

Attach assembly to the **Spinner Base (F)** using (4) **50mm One Piece Connecting Bolts (B)**, as shown.



## STEP 3

Connect (20) **Racks (G)** to fixture using (2 each) **#10 x 5/8" Trusshead Screws (A)**. Place **Top Plate (I)** inside top of Display.



**demco**<sup>®</sup>  
imagine what's possible™

Find Demco<sup>®</sup> Magazine/Newspaper Towers @[demco.com](http://demco.com)  
Search: **1494492**

Call **800.962.4463** or email [custserv@demco.com](mailto:custserv@demco.com)